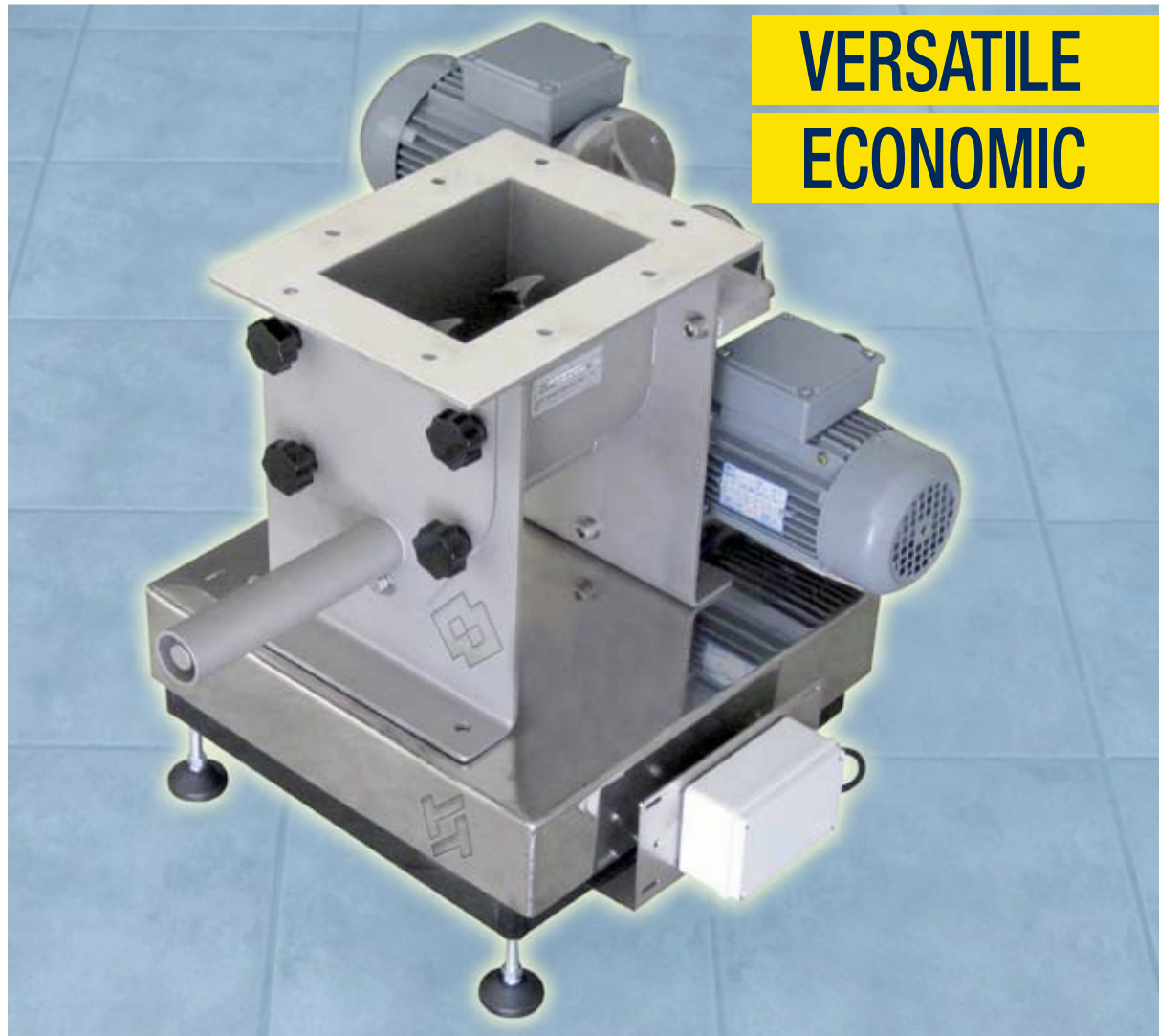


FOODS - CERAMICS - CHEMICALS

Loss-In-Weight Feeding System

MBF - BE

Hydroscrew Ltd
Tel: 0161 777 9290



VERSATILE
ECONOMIC



THE MOST VERSATILE AND ECONOMIC SOLUTION IN BULK SOLIDS FEEDING AND METERING

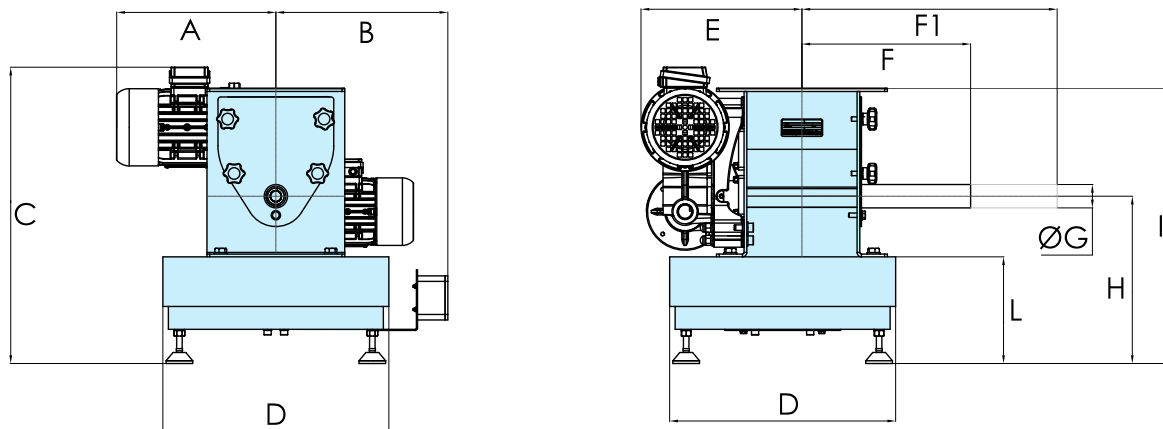
These Loss-in-Weight Feeders are made up of a Micro-Batch Feeder with a food-grade body manufactured from stainless steel and SINT® engineering polymer, a stainless steel feeder pipe and drive guard and a platform scales on a microprocessor-controlled load cell.

The system is able to assess any variation in weight in time adjusting the feed rate by varying the speed of both discharging and feeding device.

Features

- Continuous real-time controlling and adjustment depending on material weight and flow;
- Feeding accuracy between 0.5 and 1%;
- Sturdy, compact system with contact surfaces manufactured from suitable construction materials;
- Interchangeability of standard components and accessories within the feeder range;
- Micro-Batch Feeder available with ATEX-certification;
- Feed hoppers having different geometry and volume.

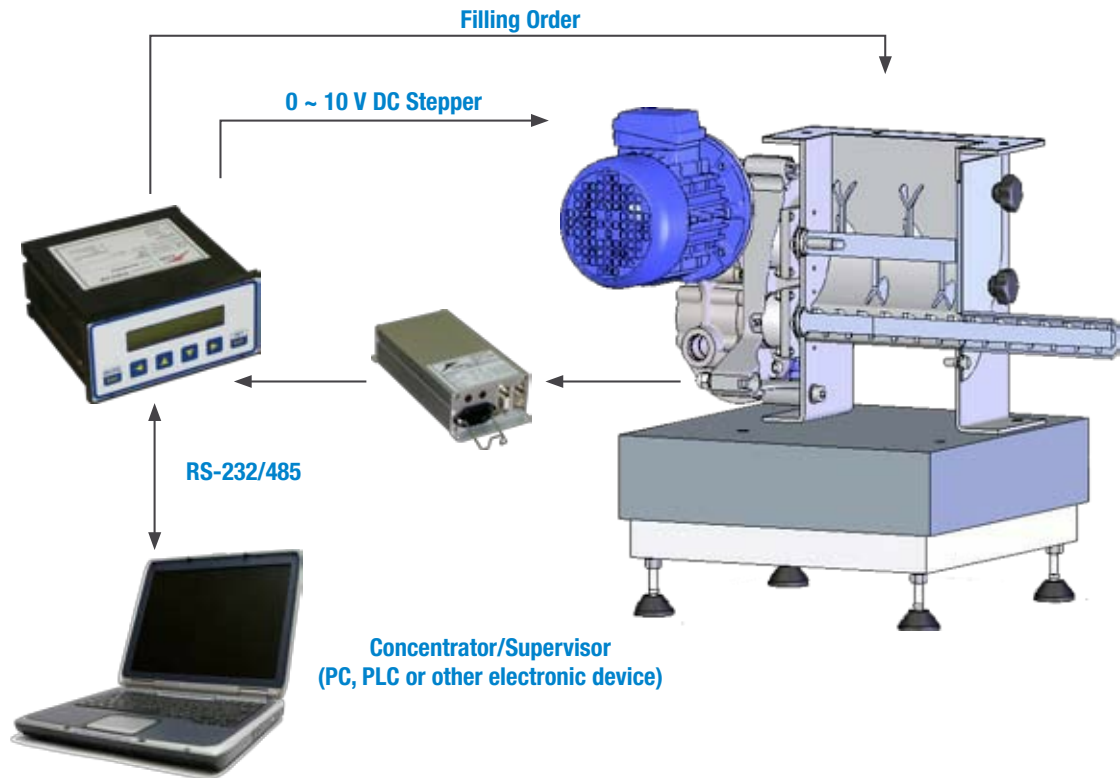
Overall Dimensions



MODEL	A	B	C	D	E	F	F1	Ø G	H	I	L
042	298	312	538	410	292	306	476	42	304	500	194
073	335	372	570	510	417	435	685	76	333	685	199
114	335	372	589	510	417	435	685	114	333	703	199

Dimensions in mm

Benefits



- ✓ Simplification of automation of the feeding process;
- ✓ Quick integration into new or existing production processes;
- ✓ Suitable for installations in a battery configuration;
- ✓ Easy to use, clean and maintain;
- ✓ Minimum downtime during product change;
- ✓ Highly reliable and durable;
- ✓ Functional assessment in our own test facility based on decades of experience in bulk solids feeding and metering;
- ✓ Attractive price.

Accessories

Electronic Control and Converter



Electronic control allows to quickly create reliable, functional, accurate and technically advanced metering.

Vertical Feeder Outlet



☒ ☒ ☒ ☒
thanks to pneumatic shut-off valve.

Applications



PLASTICS PROCESSING



FLOUR MILLING



CHEMICALS



CERAMICS

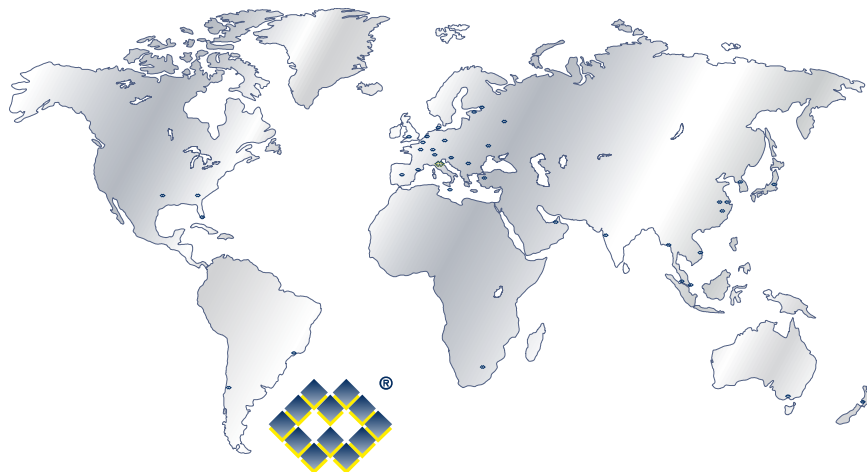


ANIMAL FEED AND FOODS



Feeding and metering of ingredients required in small quantities.

TOR.025.10.70.EN 03/10 Rights reserved to modify technical specifications.



Hydroscrew Ltd (Sales Office)
120 Fir Street, Cadishead
Manchester, M44 5AG, UK

Tel: +44(0)161 777 9290
Fax: +44(0)161 775 2145
Email: info@hydroscrew.co.uk

